





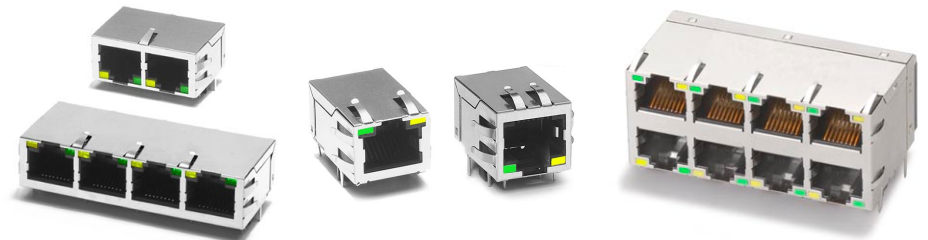
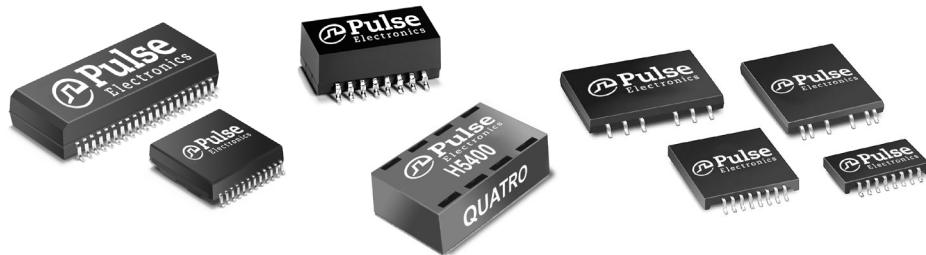




-  Available for 1000BASE-T and 100BASE-TX data rates
-  SMT (surface mount) discrete and THT (through hole) connector modules with integrated magnetics, available with or without LED's.
-  Meets IEEE 802.3af specification for PoE applications
-  Meet IEEE 802.3at specification for PoE+ applications
-  Available for Extended Temp., Low-Profile, PSE, and PD applications
-  X = extended temp, PP = PoE+

DISCRETE MAGNETICS		CONNECTORS WITH INTEGRATED MAGNETICS	
100BASE-TX	1000BASE-T	100BASE-TX	1000BASE-T
<b>SINGLE:</b> H2019NL HX2019NL X H2260NL H1263NL	<b>SINGLE:</b> HX2260NL X HX2326NL X, PP HX1393NL	<b>1X1:</b> JKO-0120NL JKO-0125NL	<b>1X1:</b> JXKO-0138NL X JKO-0144NL JKO-0144BNL JKO-0145NL JKO-0177NL PP JXKO-0190NL X, PP JKO-0161NL JKO-0133NL
<b>DUAL:</b> H2005ANL H2006ANL H2009NL	<b>DUAL:</b> H2039NL H2305NL HX2305NL	<b>1XN:</b> J1N-0011NL (1X4) JG0-0031NL (1X2) JG0-0032NL (1X4) JG0-0045NL (1X6) JG0-0051NL (1X8)	<b>1XN:</b> J0N-0012NL (1X4) J0N-0015NL PP (1X4) J1N-0008NL (1X4) J1N-0003NL PP (1X4)
<b>QUAD:</b> H2014NL H2017NL	<b>QUAD:</b> H1259NL HX1259NL X	<b>2XN:</b> JCO-0114NL (2X6)	<b>2XN:</b> J0B-0182NL (2X4) J0B-0183NL (2X6) J0B-0170NL (2X8)

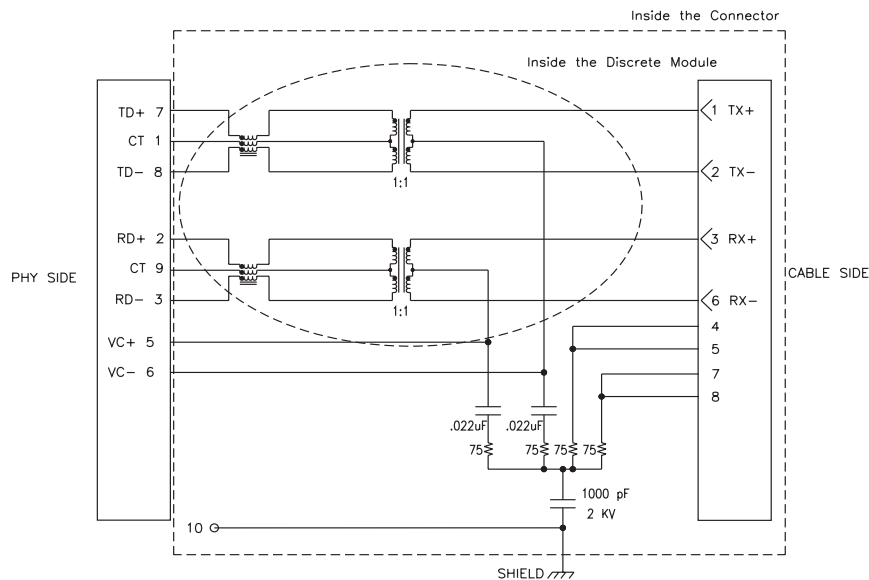




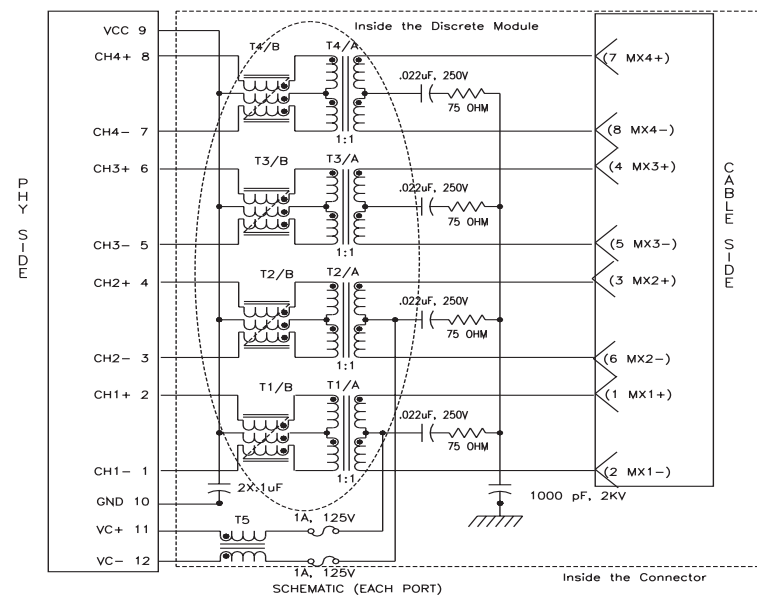
## Application Notes

- Layering ground planes is advisable. Route connector/discrete module ground pins to chassis/analog ground if possible.
- Keep signal traces from PHY to connector/discrete module as short as possible. If traces exceed 3-4 inches, pay close attention to line impedance imbalance.
- Using BST (75Ω resistors and high voltage cap to chassis ground) to terminate Cable side CTs is advisable for best EMI performance (included in most connector solutions).
- Follow PHY manufacturer's application notes for further layout considerations.
- Common applications include: VoIP phones, WLAN APs, Security Cameras, POS Terminals, Keycard Access/Security.

### 100BASE-TX APPLICATION CIRCUIT



### 100BASE-T APPLICATION CIRCUIT



### For More Information

**Pulse Worldwide Headquarters**  
12220 World Trade Drive  
San Diego, CA 92128  
U.S.A.

**Pulse Europe**  
Zeppelinstrasse 15  
71083 Herrenberg  
Germany

**Pulse China Headquarters**  
B402, Shenzhen Academy of  
Aerospace Technology Bldg.  
10th Kejinan Road  
High-Tech Zone  
Nanshan District  
Shenzhen, PR China 518057  
Tel: 86 755 33966678  
Fax: 86 755 33966700

**Pulse North China**  
Room 2704/2705  
Super Ocean Finance Ctr.  
2067 Yan An Road West  
Shanghai 200336  
China  
Tel: 86 21 62787060  
Fax: 86 2162786973

**Pulse South Asia**  
135 Joo Seng Road  
#03-02  
PM Industrial Bldg.  
Singapore 368363

**Pulse North Asia**  
3F, No. 198  
Zhongyuan Road  
Zhongli City  
Taoyuan County 320  
Taiwan R. O. C.  
Tel: 886 3 4356768  
Fax: 886 3 4356823 (Pulse)  
Fax: 886 3 4356820 (FRE)

Tel: 858 674 8100  
Fax: 858 674 8262

Tel: 49 7032 78060  
Fax: 49 7032 7806 135

Tel: 65 6287 8998  
Fax: 65 6287 8998

Performance warranty of products offered on this data sheet is limited to the parameters specified. Data is subject to change without notice. Other brand and product names mentioned herein may be trademarks or registered trademarks of their respective owners. © Copyright, 2011. Pulse Electronics, Inc. All rights reserved.